

GMI

GMI COMPOSITES, INC.

1355 W. SHERMAN BLVD.
MUSKEGON, MI 49441
(800)330-4045

WWW.GMI-COVERS.COM

PART SERIES

LIBER-T LOCK SMALL

MADE IN USA

ESTIMATED WEIGHT

LOAD RATING

MATERIAL SPECIFICATION

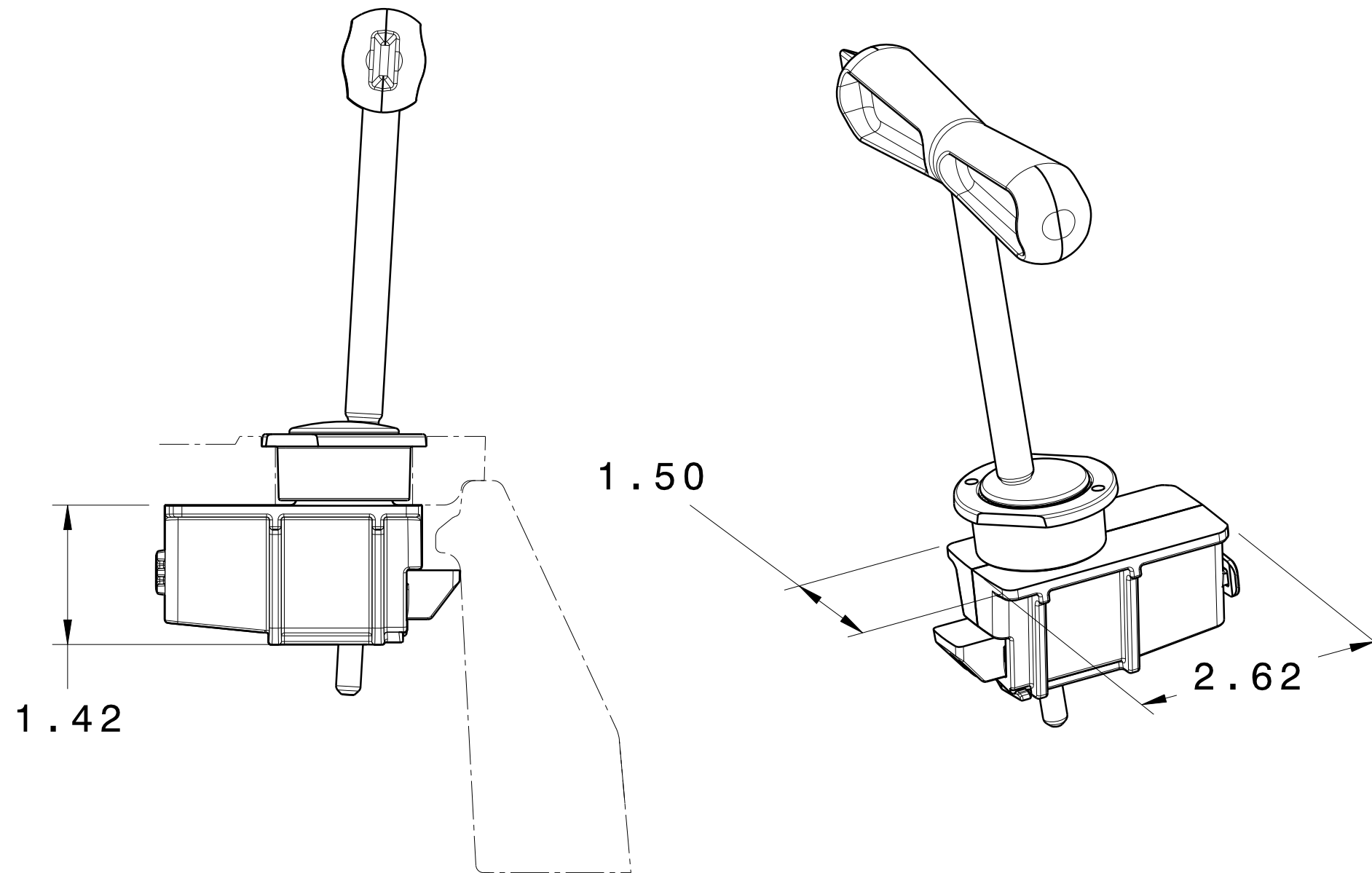
FIBER REINFORCED
POLYMER

LAST REVISED

DATE

02/13/09

This drawing is the property of
GMI Composites, INC. and includes
confidential information, trade secret
information, and/or know how that is
the property of GMI Composites, INC.
© Copyright 2009 GMI Composites, INC.



CONFIDENTIAL