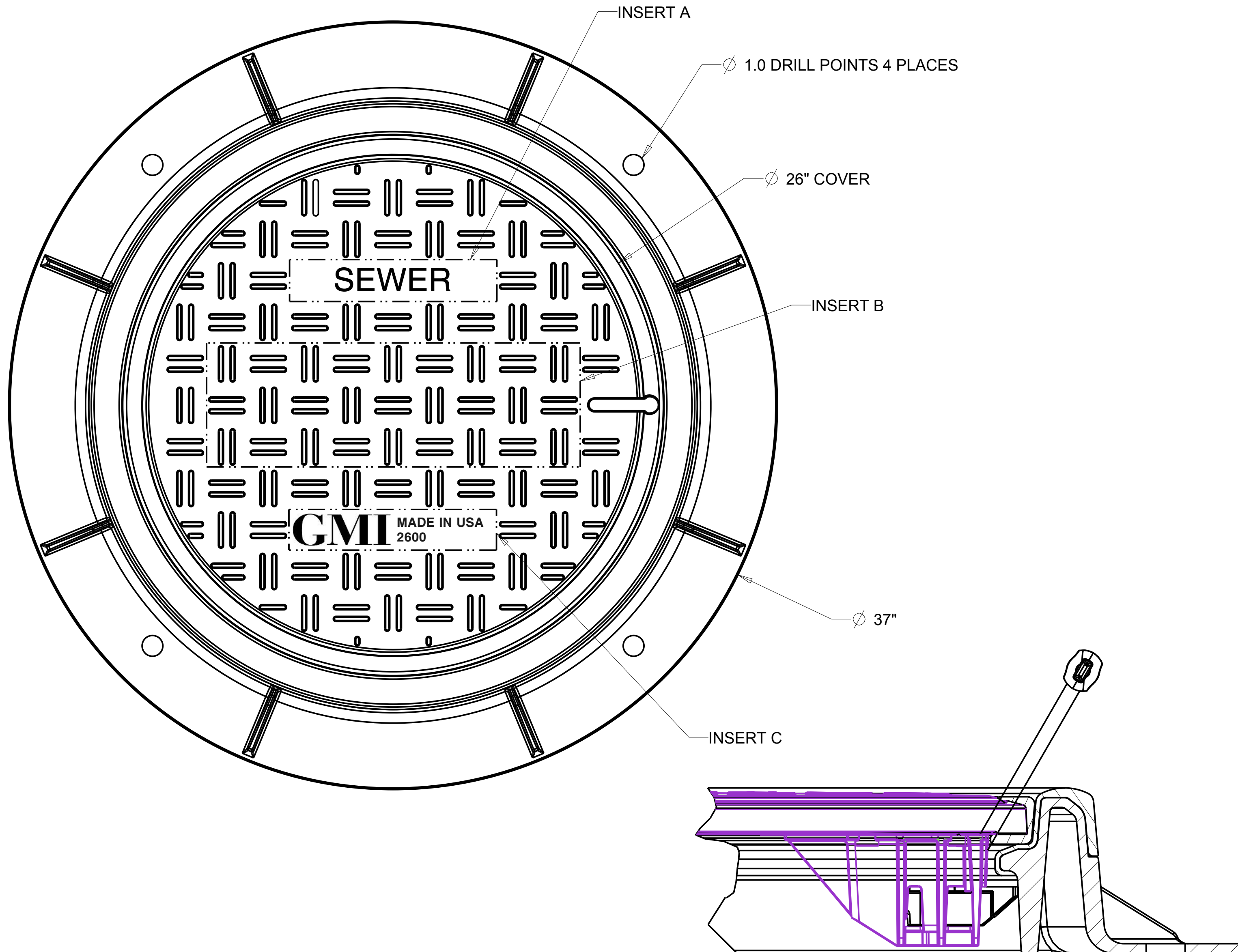


# 2600 Series GMI Utility Access Cover & Frame with Liber-T Lock



## Product/ Drawing Number

**2600AAAG05**

## Product Attributes

### Materials:

Fiber Reinforced  
Polymer

### Load Rating:

AASHTO M306-05  
EN124 D400

### Weight:

Cover = 32 lbs  
Frame = 28 lbs  
Assembly = 60 lbs

### Lock:

GMI Liber-T Lock Set

**MADE IN USA**

Drawing shown in inches

This drawing is the property of GMI Composites, INC. and includes confidential information, trade secret information, and/or know how that is the property of GMI Composites, INC. Copyright 2010 GMI Composites, INC.